



Surge Protection

For comprehensive protection of a luminaire against electrical surges, surge protection shall be installed on the mains supply where required to protect luminaires and drivers from transient voltage damage.

For warranty information visit unios.com/warranty

Please read these installation instructions carefully before installing this luminaire. This product must be installed and maintained by a suitably qualified person/s in compliance with the latest applicable regulations and relevant legislation.

Unios does not warrant any claim based on defects or damage caused by misuse, improper installation, improper operation and/or modifications carried out by the purchaser or third parties. This luminaire will not be used as a 'Working light' during construction. This will result in the warranty of the luminaire to be void. For warranty duration, please refer to the data sheet.

Cleaning

Always clean carefully using a soft cloth and a ph-neutral, alcohol-free, non-abrasive cleaning cloth.

Clean & Maintain the finish twice a year to avoid rust, oxidation or limescale deposits.

Disposal

Ensure correct disposal of this product (waste electrical and electronic equipment)



ION S Framer

SPOTLIGHT

Body Base Codes	Small IONFSX08	Medium IONFMX18	Large IONFLX32
------------------------	--------------------------	---------------------------	--------------------------



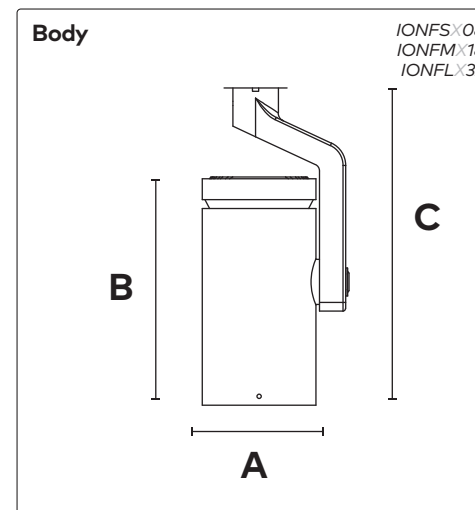
Framer Lens Base Codes	15-25° Lens IONF1525	55° Lens IONF0055
-------------------------------	--------------------------------	-----------------------------

Power
8-32 Watts

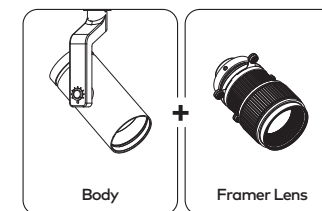


CAUTION – This product must be installed by a qualified installer

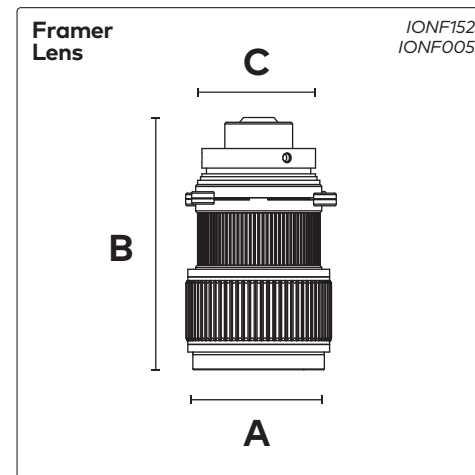
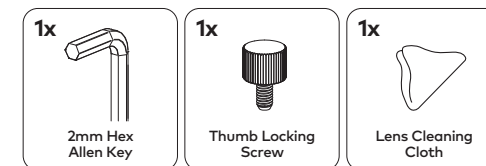
Please read instruction manual carefully before installing luminaire



Required Components



Parts



Sizing Variations

Product Code		A	B	C
Small	Body: IONFSX08	ø50	108	153
	↳ IONF1525.XX.03	ø46	95	ø46
	↳ IONF0055.XX.03	ø46	70	ø46
Medium	Body: IONFMX18	ø65	131	182
	↳ IONF1525.XX.01	ø78	134	ø61
	↳ IONF0055.XX.01	ø78	127	ø61
Large	Body: IONFLX32	ø85	137	188
	↳ IONF1525.XX.02	ø78	134	ø81
	↳ IONF0055.XX.02	ø78	127	ø81

All measurements are in millimetres.

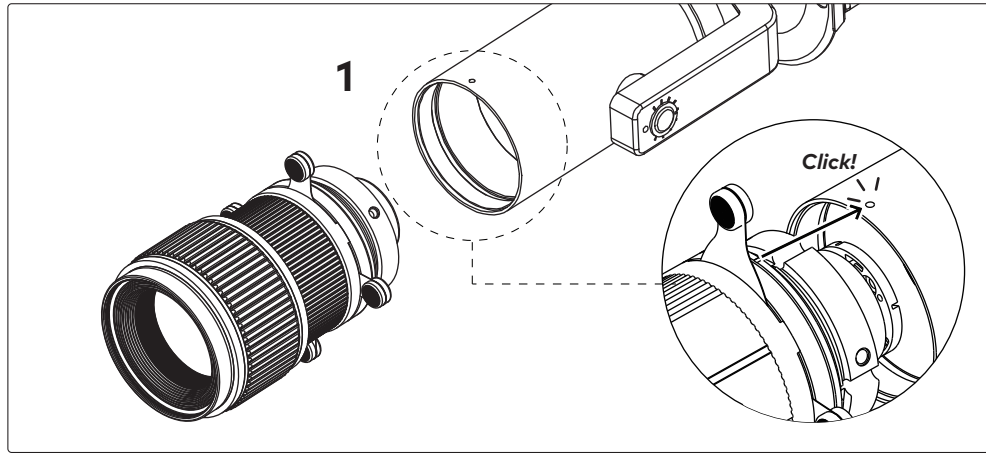


ION S Framer Commissioning & Selection Guide

unios.com/ionsframerguide

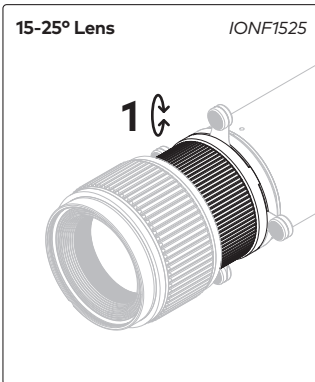
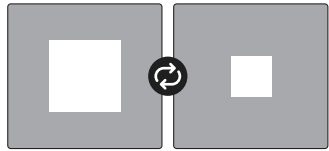


Product Assembly



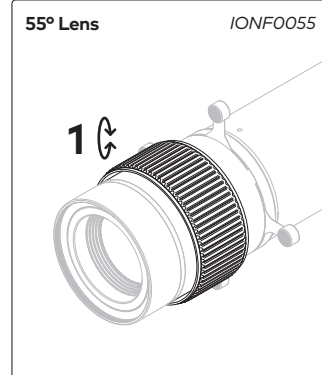
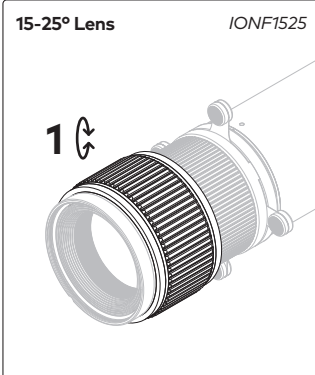
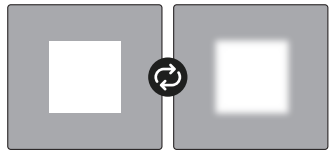
Zoom Adjustment

Rotate inner lens collar to adjust the beams zoom level.



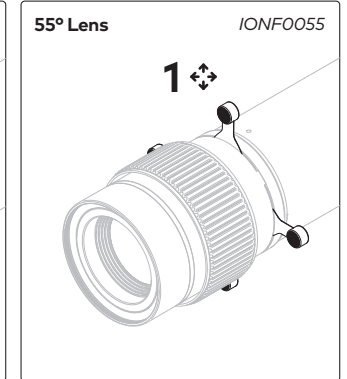
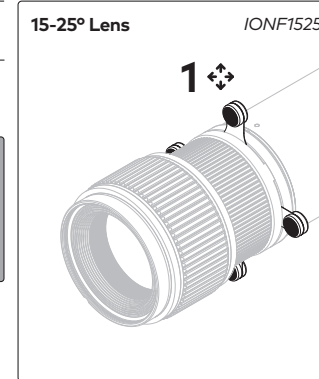
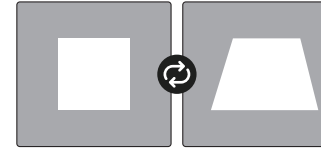
Focus Adjustment

Rotate outer lens collar to adjust the beams focus.



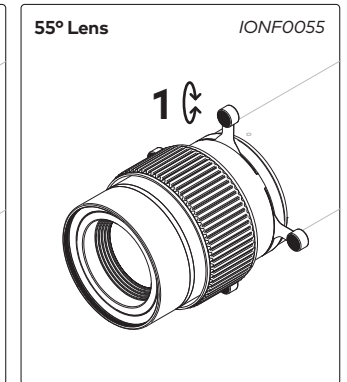
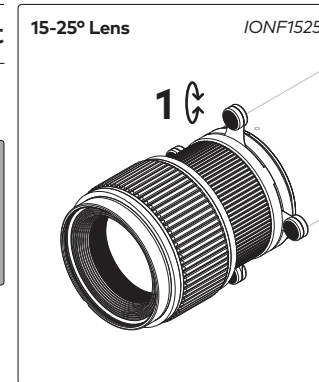
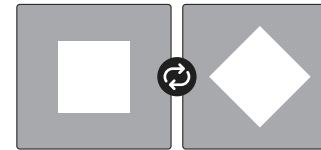
Framing Adjustment

Use the four framing tabs to adjust the shape of the beam.



Orientation Adjustment

Spin/rotate the entire framer lens to change the beam orientation.



Product Locking

